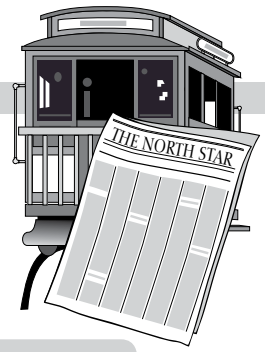
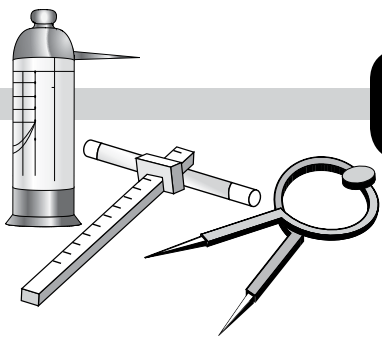


# Table of Contents

What's Inside .....	3
How to Use .....	4



## Explorers and Explorations

Christopher Columbus.....	5
Juan Ponce de León.....	7
Francisco Coronado .....	9
Robert La Salle.....	11
Samuel de Champlain .....	13
Henry Hudson.....	15
John Smith.....	17

## Revolutionary War

Stamp Act .....	19
Boston Tea Party .....	21
Lexington and Concord .....	23
Bunker Hill .....	25
Declaration of Independence.....	27

## Westward Movement

Daniel Boone .....	29
Louisiana Purchase .....	31
Lewis and Clark.....	33
Sacagawea.....	35

## U.S. Constitution

U.S. Constitution.....	37
James Madison .....	39
Signers of the U.S. Constitution .....	41
Bill of Rights.....	43

## U.S. Government

Federal and State Governments .....	45
Executive Branch.....	47
Legislative Branch .....	49
Judicial Branch .....	51
Checks and Balances.....	53

## Citizenship and National Symbols

Voting.....	55
Pledge of Allegiance .....	57
American Flag .....	59
“The Star-Spangled Banner” .....	61
Bald Eagle .....	63
The Capitol .....	65
Washington Monument.....	67
Statue of Liberty .....	69
Liberty Bell.....	71

## Historic Figures

George Washington.....	73
Thomas Jefferson.....	75
Benjamin Franklin.....	77
Paul Revere.....	79
Abigail Adams.....	81
Dolley Madison .....	83
Phillis Wheatley .....	85
Sojourner Truth.....	87
Harriet Tubman.....	89
Frederick Douglass.....	91
George Washington Carver.....	93

## U.S. Regions

Northeast .....	95
Southeast .....	97
Southwest.....	99
Midwest .....	101
West .....	103

Trivia Game .....	105
Answer Keys.....	121